

## DC PLANETARY GEAR MOTOR

### DM-16RP030 机加款 machining

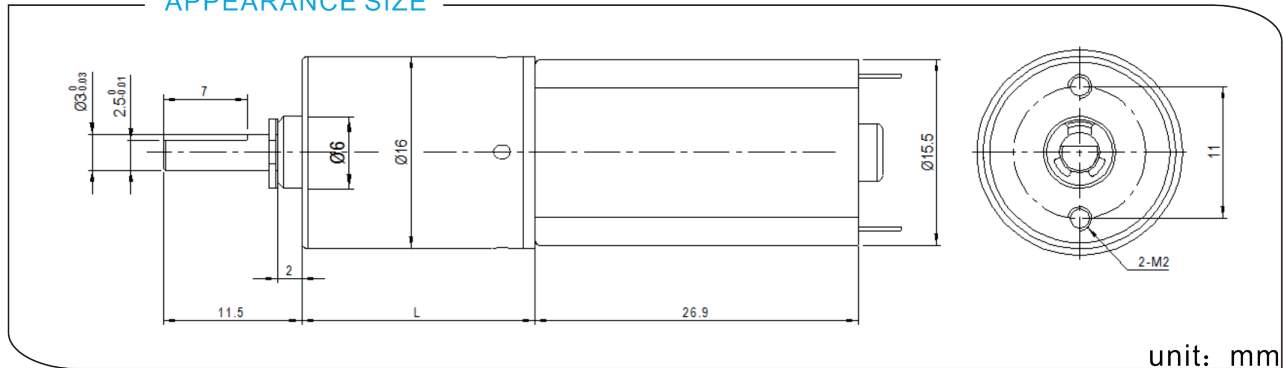
典型应用/Typical applications :

自动快锁门、装订机、自动电视架、点钞机、聚光灯、卫生纸机、办公设备、家用电器、自动执行机构

Auto shutter, binding machine, automatic TV rack, money counter, spotlight, tissue machine, office equipments, household appliances, automatic actuator



### APPEARANCE SIZE



unit: mm

### 齿轮箱参数/Gearbox Data:

级数 Number of stages	1	2	3	4	5
减数比 Reduction Ratio i	4、4.75	16、22.5	64、79、107	256、361、509	1024、2418
齿轮箱长度 Gearbox Length L (mm)	12.2	15.8	19.4	23	26.6
破坏扭力 Breaking Torque(kgf.cm)	2	3	4	5	5
齿轮箱效率 Gearbox Efficiency η	90%	81%	73%	65%	59%

### 电机参数/Driving Motor Data:

DC Motor Model	Rated	No Load		Max Efficiency Load				Stall	
	电压	电流	转速	电流	转速 (nm)	扭矩 (tm)	率功	扭矩	电流
	Volt.	Current	Speed	Current	Speed	Torque	P.out	Torque	Current
	V	mA	r/min	mA	r/min	gf.cm	W	gf.cm	mA
DM-030-003-8000	3	≤55	8000	≤250	6000	4	0.2	≥16	≥500
DM-030-003-15000	3	≤80	10500	≤300	7200	5	0.4	≥20	≥750
DM-030-006-8000	6	≤30	8000	≤120	5000	4	0.2	≥16	≥150
DM-030-006-10500	6	≤40	10500	≤160	7000	5	0.4	≥20	≥400

### 减数电机参数/Geared Motor Data :

Gear Motor Model	额定电压 Rated voltage	No load		Max Efficiency Load				Stall	
		电流	转速	电流	转速 (n)	扭矩 (t)	率功	扭矩	电流
		Current	Speed	Current	Speed	Torque	P.out	Torque	Current
	V	A	r/min	A	r/min	kgf.cm	W	kgf.cm	A
DM-16RP030-0039000-256K	3	0.12	31.9	0.29	22.2	0.8	0.18	2.6	0.7
DM-16RP030-00610400-509K	6	0.09	14.0	0.23	8.9	1.1	0.11	3.1	0.39
DM-16RP030-00610400-2418K	6	0.09	3.8	0.17	2.4	4.77	0.12	12.8	0.31
DM-16RP030-00615500-107K	6	0.19	133.6	0.57	100.2	1.07	1.1	4.3	1.71
DM-16RP030-01213000-304K	12	0.05	38.4	0.12	26.6	0.87	0.24	2.8	0.28

电机参数仅供参考, 请以实际样板为准; 可以依据客户要求定制参数。

The motor parameters are for reference only, please refer to real measured data;

We can customize parameters according to customer requirements.

减数电机输出转速=直流电机输出转速/齿轮箱减数比; 减数电机输出扭矩=直流电机输出扭矩\*齿轮箱减数比\*齿轮箱传动效率。

Gear Motor Output Speed=DC Motor Speed/Gear Ratio (n=n<sub>m</sub>/i)

Gear Motor Output Torque=DC Motor Torque\*Gear Ratio\*Gearbox Efficiency. (t=t<sub>m</sub>\*i\*η)