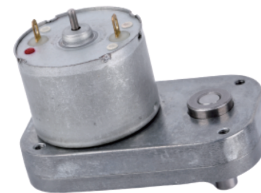


DC SPUR GEAR MOTOR DM-65SS3525

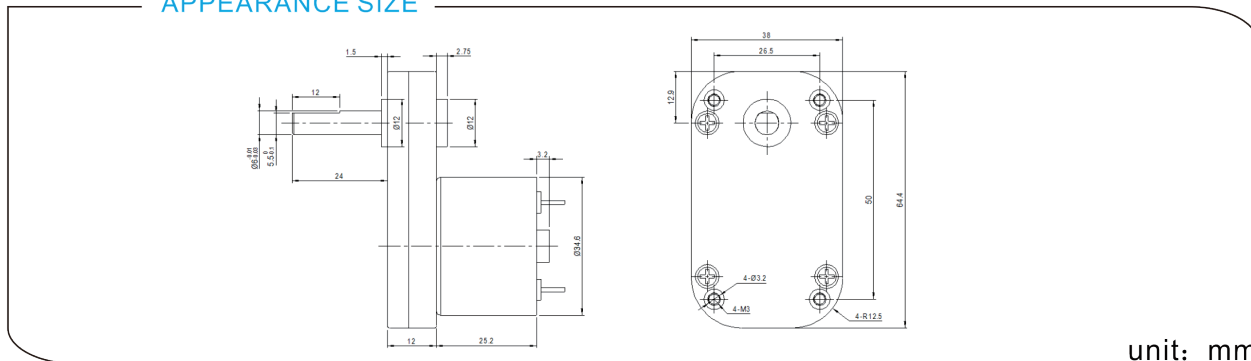
典型应用/Typical applications :

自动快锁门、装订机、自动电视架、点钞机、聚光灯、卫生纸机、
办公设备、家用电器、自动执行机构

Auto shutter, binding machine, automatic TV rack, money counter,
spotlight, tissue machine, office equipments, household appliances,
automatic actuator



APPEARANCE SIZE



unit: mm

齿轮箱参数/Gearbox Data:

| 级数 Number of stages | 3 | 4 | 5 |
|---------------------------------|-----------|-------------|-----|
| 减数比 Reduction Ratio i | 40.5、67.5 | 135、152、225 | 450 |
| 齿轮箱长度 Gearbox Length L (mm) | 12 | 12 | 12 |
| 破坏扭力 Breaking Torque(kgf.cm) | 10 | 25 | 35 |
| 齿轮箱效率 Gearbox Efficiency η | 73% | 65% | 59% |

电机参数/Driving Motor Data:

| DC Motor Model | Rated | No Load | | Max Efficiency Load | | | | Stall | |
|------------------|-------|---------|-------|---------------------|---------|---------|-------|--------|---------|
| | 电压 | 电流 | 转速 | 电流 | 转速 (nm) | 扭矩 (tm) | 率功 | 扭矩 | 电流 |
| | Volt. | Current | Speed | Current | Speed | Torque | P.out | Torque | Current |
| | V | mA | r/min | mA | r/min | gf.cm | W | gf.cm | mA |
| DM-3525-012-3000 | 12 | ≤40 | 3000 | ≤170 | 2200 | 25 | 0.6 | ≥120 | ≥600 |
| DM-3525-012-4500 | 12 | ≤60 | 4500 | ≤250 | 3300 | 35 | 1.2 | ≥180 | ≥900 |
| DM-3525-012-6000 | 12 | ≤100 | 6000 | ≤450 | 4500 | 45 | 2.1 | ≥200 | ≥1300 |
| DM-3525-024-3000 | 24 | ≤25 | 3000 | ≤80 | 2200 | 25 | 0.6 | ≥100 | ≥300 |
| DM-3525-024-4500 | 24 | ≤30 | 4500 | ≤130 | 3300 | 35 | 1.2 | ≥180 | ≥450 |

减数电机参数/Geared Motor Data :

| Gear Motor Model | 额定电压 Rated voltage | No load | | Max Efficiency Load | | | | Stall | |
|---------------------------|-----------------------|---------|-------|---------------------|--------|--------|-------|--------|---------|
| | | 电流 | 转速 | 电流 | 转速 (n) | 扭矩 (t) | 率功 | 扭矩 | 电流 |
| | | Current | Speed | Current | Speed | Torque | P.out | Torque | Current |
| | V | A | r/min | A | r/min | kgf.cm | W | kgf.cm | A |
| DM-65SS3525-0034500-67.5K | 3 | 0.21 | 63.4 | 0.8 | 48.3 | 1.6 | 0.81 | 6.9 | 2.67 |
| DM-65SS3525-0124500-152K | 12 | 0.08 | 28.0 | 0.32 | 21.7 | 5.0 | 1.11 | 22.2 | 1.12 |
| DM-65SS3525-0125500-152K | 12 | 0.09 | 35.9 | 0.34 | 29.4 | 5.0 | 1.5 | 27.1 | 1.45 |
| DM-65SS3525-0126000-135K | 12 | 0.05 | 44.8 | 0.34 | 37.6 | 3.8 | 1.46 | 23.5 | 1.8 |
| DM-65SS3525-0127000-135K | 12 | 0.08 | 51.4 | 0.42 | 41.8 | 5.0 | 2.16 | 26.9 | 1.88 |

电机参数仅供参考, 请以实际样板为准; 可以依据客户要求定制参数。

The motor parameters are for reference only, please refer to real measured data;

We can customize parameters according to customer requirements.

减数电机输出转速=直流电机输出转速/齿轮箱减数比; 减数电机输出扭矩=直流电机输出扭矩*齿轮箱减数比*齿轮箱传动效率。

Gear Motor Output Speed=DC Motor Speed/Gear Ratio (n=n_m/i)

Gear Motor Output Torque=DC Motor Torque*Gear Ratio*Gearbox Efficiency. (t=t_m*i*η)