

DC SPUR GEAR MOTOR DM-12SSN20

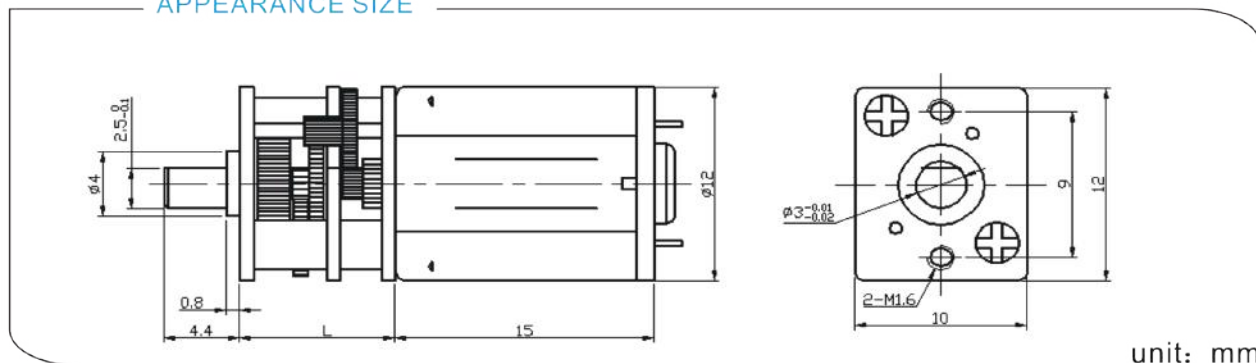
典型应用/Typical applications :

自动快锁门、装订机、自动电视架、点钞机、聚光灯、卫生纸机、
办公设备、家用电器、自动执行机构

Auto shutter, binding machine, automatic TV rack, money counter,
spotlight, tissue machine, office equipments, household appliances,
automatic actuator



APPEARANCE SIZE



齿轮箱参数/Gearbox Data:

| 级数 Number of stages | 2 | 4 | 5 | 7 |
|------------------------------------|--------|--------------------------|----------------------------|--------------|
| 减数比 Reduction Ratio i | 3、5、10 | 17、20、30、36 50、63、100 | 110、150、210 250、298、380 | 372、625、1000 |
| 齿轮箱长度 Gearbox Length L (mm) | 9 | 9 | 9 | 12 |
| 破坏扭力 Breaking Torque(kgf.cm) | 0.6 | 0.9 | 1.2 | 2 |
| 齿轮箱效率 Gearbox Efficiency η | 81% | 65% | 59% | 48% |

电机参数/Driving Motor Data:

| DC Motor Model | Rated | No Load | | Max Efficiency Load | | | Stall | | |
|------------------|-------|---------|-------|---------------------|---------|--------|-------|--------|---------|
| | 电压 | 电流 | 转速 | 电流 | 转速 (nm) | 扭矩 | 功率 | 扭矩 | 电流 |
| | Volt. | Current | Speed | Current | Speed | Torque | P.out | Torque | Current |
| | V | mA | r/min | mA | r/min | gf.cm | W | gf.cm | mA |
| DM-N20-003-10000 | 3 | ≤50 | 10000 | ≤185 | 8000 | 2 | 0.2 | ≥8 | ≥350 |
| DM-N20-003-15000 | 3 | ≤80 | 15000 | ≤280 | 12400 | 3 | 0.4 | ≥12 | ≥520 |
| DM-N20-003-20000 | 3 | ≤110 | 20000 | ≤370 | 15500 | 4 | 0.6 | ≥16 | ≥700 |
| DM-N20-006-10000 | 6 | ≤25 | 10000 | ≤95 | 8000 | 2 | 0.2 | ≥8 | ≥160 |
| DM-N20-006-20000 | 6 | ≤60 | 20000 | ≤190 | 15500 | 4 | 0.6 | ≥16 | ≥320 |

减数电机参数/Geared Motor Data :

| Gear Motor Model | 额定电压 Rated voltage | No load | | Max Efficiency Load | | | Stall | | |
|---------------------------|-----------------------|---------|-------|---------------------|--------|--------|-------|--------|---------|
| | | 电流 | 转速 | 电流 | 转速 (n) | 扭矩 | 功率 | 扭矩 | 电流 |
| | | Current | Speed | Current | Speed | Torque | P.out | Torque | Current |
| | V | A | r/min | A | r/min | kgf.cm | W | kgf.cm | A |
| DM-12SSN20-00316000-150K | 3 | 0.07 | 110.7 | 0.27 | 87.3 | 0.28 | 0.25 | 1.30 | 1.01 |
| DM-12SSN20-00310000-1000K | 3 | 0.03 | 10.7 | 0.15 | 7.30 | 1.20 | 0.10 | 3.90 | 0.33 |
| DM-12SSN20-00514500-100K | 5 | 0.04 | 135.5 | 0.13 | 104.1 | 0.17 | 0.19 | 0.75 | 0.44 |
| DM-12SSN20-00515000-250K | 5 | 0.04 | 61.5 | 0.15 | 47.3 | 0.50 | 0.24 | 2.00 | 0.53 |
| DM-12SSN20-00515000-298K | 5 | 0.03 | 48.8 | 0.12 | 38.6 | 0.50 | 0.20 | 2.40 | 0.46 |

电机参数仅供参考, 请以实际样板为准; 可以依据客户要求定制参数。

The motor parameters are for reference only, please refer to real measured data;

We can customize parameters according to customer requirements.

减数电机输出转速=直流电机输出转速/齿轮箱减数比; 减数电机输出扭矩=直流电机输出扭矩*齿轮箱减数比*齿轮箱传动效率。

Gear Motor Output Speed=DC Motor Speed/Gear Ratio ($n=n_{mi}$)

Gear Motor Output Torque=DC Motor Torque*Gear Ratio*Gearbox Efficiency. ($t=t_m*i*\eta$)