

DC SPUR GEAR MOTOR DM-33RS520

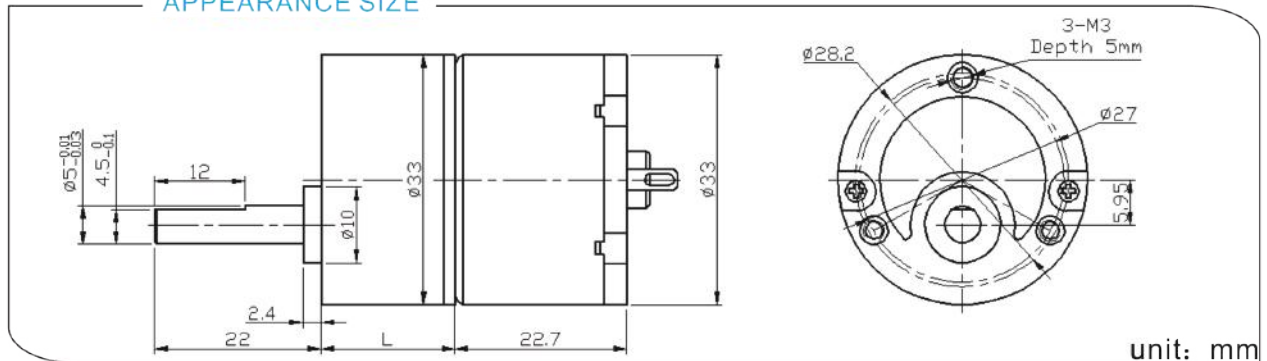
典型应用/Typical applications :

自动快锁门、装订机、自动电视架、点钞机、聚光灯、卫生纸机、
办公设备、家用电器、自动执行机构

Auto shutter, binding machine, automatic TV rack, money counter,
spotlight, tissue machine, office equipments, household appliances,
automatic actuator



APPEARANCE SIZE



齿轮箱参数/Gearbox Data:

级数 Number of stages	3	4	5	6	7
减数比 Reduction Ratio i	20	50	125	312.5	781
齿轮箱长度 Gearbox Length L (mm)	17.7	19.9	22.2	24.4	26.75
破坏扭力 Breaking Torque(kgf.cm)	10	15	20	24	24
齿轮箱效率 Gearbox Efficiency η	73%	65%	59%	53%	48%

电机参数/Driving Motor Data:

DC Motor Model	Rated	No Load		Max Efficiency Load			Stall		
	电压	电流	转速	电流	转速 (nm)	扭矩 (tm)	功率	扭矩	电流
	Volt.	Current	Speed	Current	Speed	Torque	P.out	Torque	Current
	V	mA	r/min	mA	r/min	gf.cm	W	gf.cm	mA
DM-520-012-3000	12	≤20	3000	≤110	2200	25	0.6	≥100	≥400
DM-520-012-4500	12	≤30	4500	≤150	3300	35	1.2	≥140	≥850
DM-520-012-6000	12	≤40	6000	≤400	4500	45	2.1	≥180	≥1400
DM-520-024-3000	24	≤15	3000	≤60	2200	25	0.6	≥100	≥200
DM-520-024-4500	24	≤20	4500	≤80	3300	35	1.2	≥140	≥420

减数电机参数/Geared Motor Data :

Gear Motor Model	额定电压 Rated voltage	No load		Max Efficiency Load			Stall		
		电流	转速	电流	转速 (n)	扭矩 (t)	功率	扭矩	电流
		Current	Speed	Current	Speed	Torque	P.out	Torque	Current
	V	A	r/min	A	r/min	kgf.cm	W	kgf.cm	A
DM-33RS520-3.77000-312.5K	3.7	0.15	21.4	0.74	17.3	3.8	0.67	19.7	3.2
DM-33RS520-4.53500-50K	4.5	0.06	68.2	0.23	53.1	0.7	0.39	3.0	0.84
DM-33RS520-0126000-125K	12	0.05	47.7	0.25	39.0	2.8	1.13	15.0	1.17

电机参数仅供参考, 请以实际样板为准; 可以依据客户要求定制参数。

The motor parameters are for reference only, please refer to real measured data;

We can customize parameters according to customer requirements.

减数电机输出转速=直流电机输出转速/齿轮箱减数比; 减数电机输出扭矩=直流电机输出扭矩*齿轮箱减数比*齿轮箱传动效率。

Gear Motor Output Speed=DC Motor Speed/Gear Ratio (n=n_m/i)

Gear Motor Output Torque=DC Motor Torque*Gear Ratio*Gearbox Efficiency. (t=t_m*i*η)